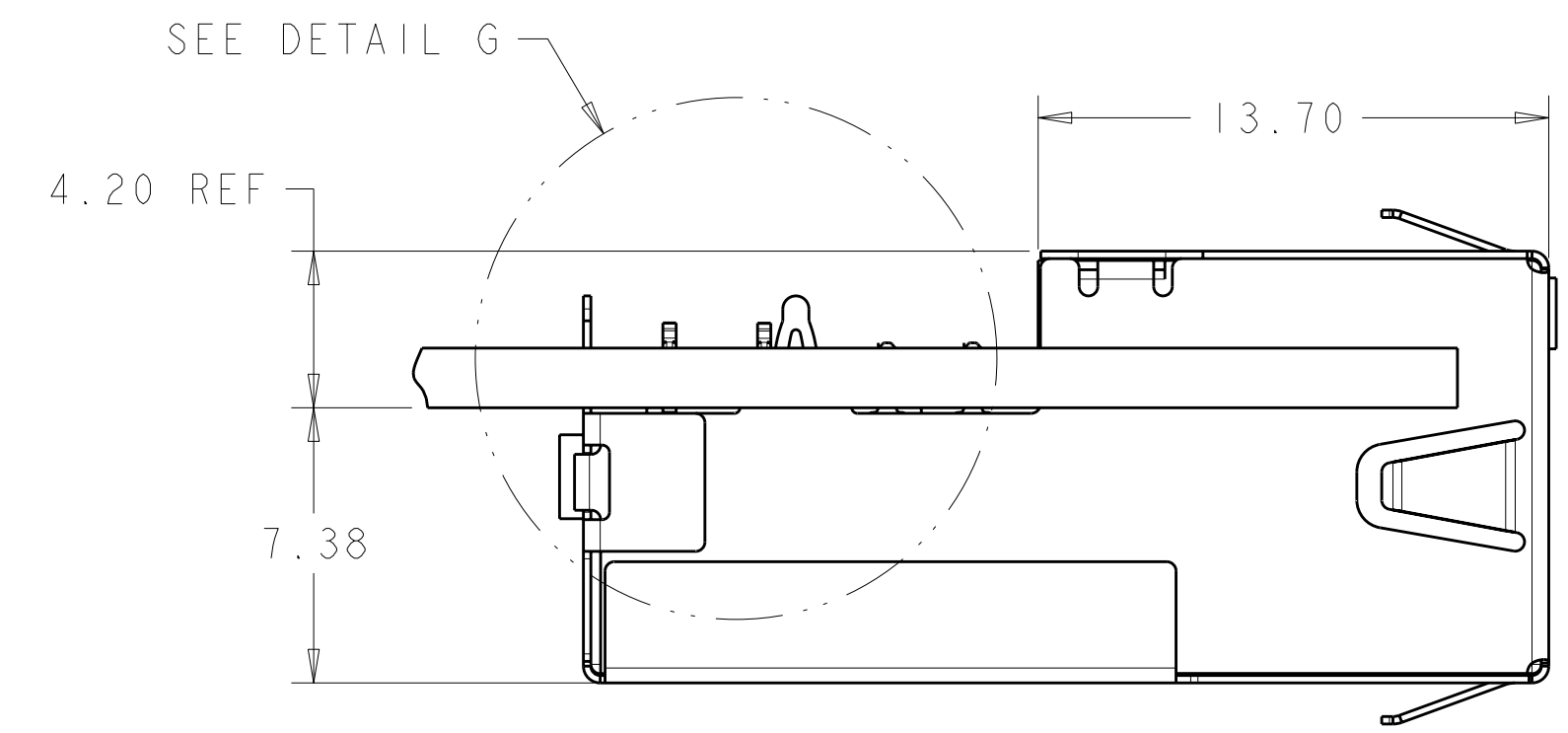
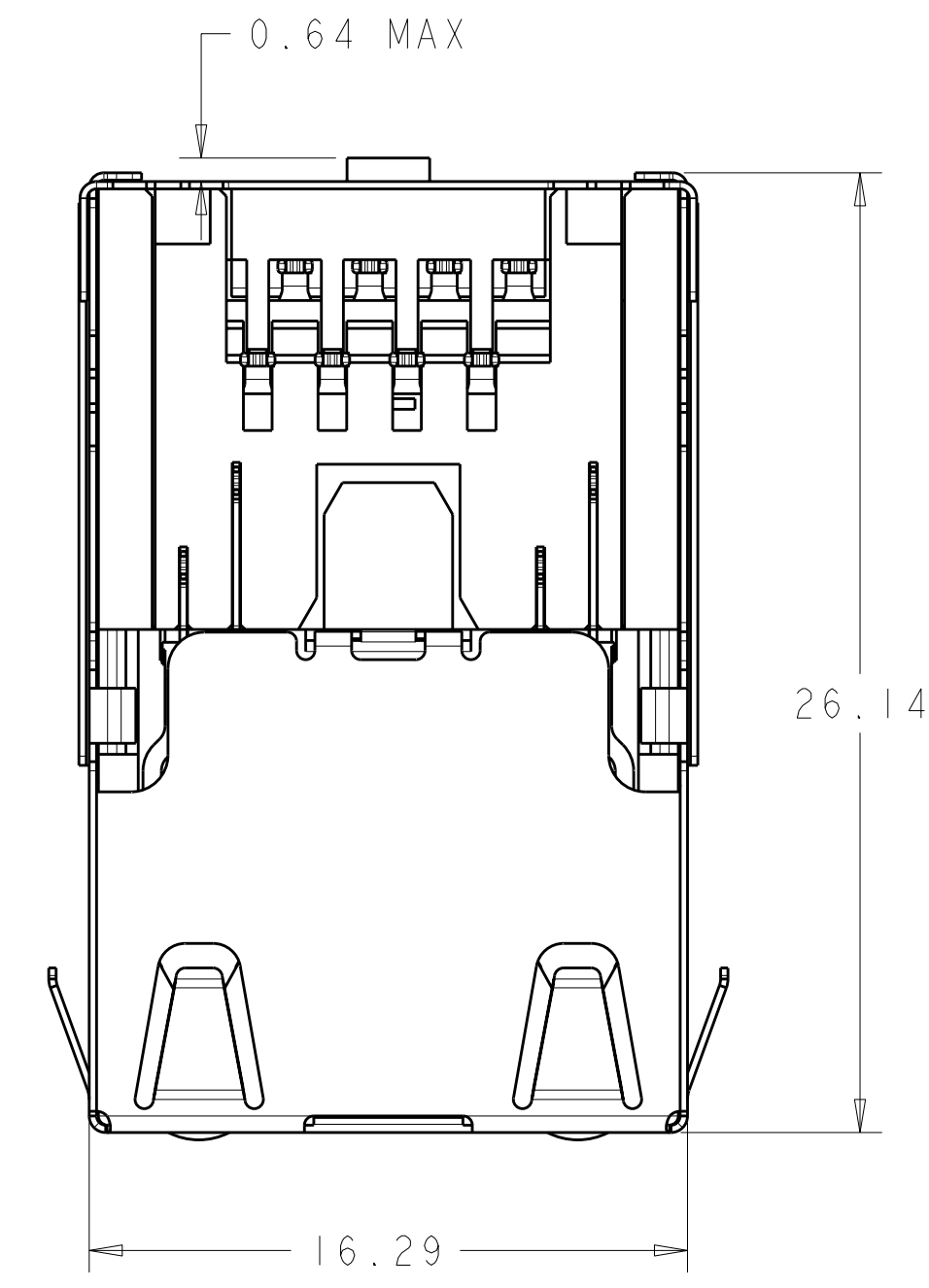
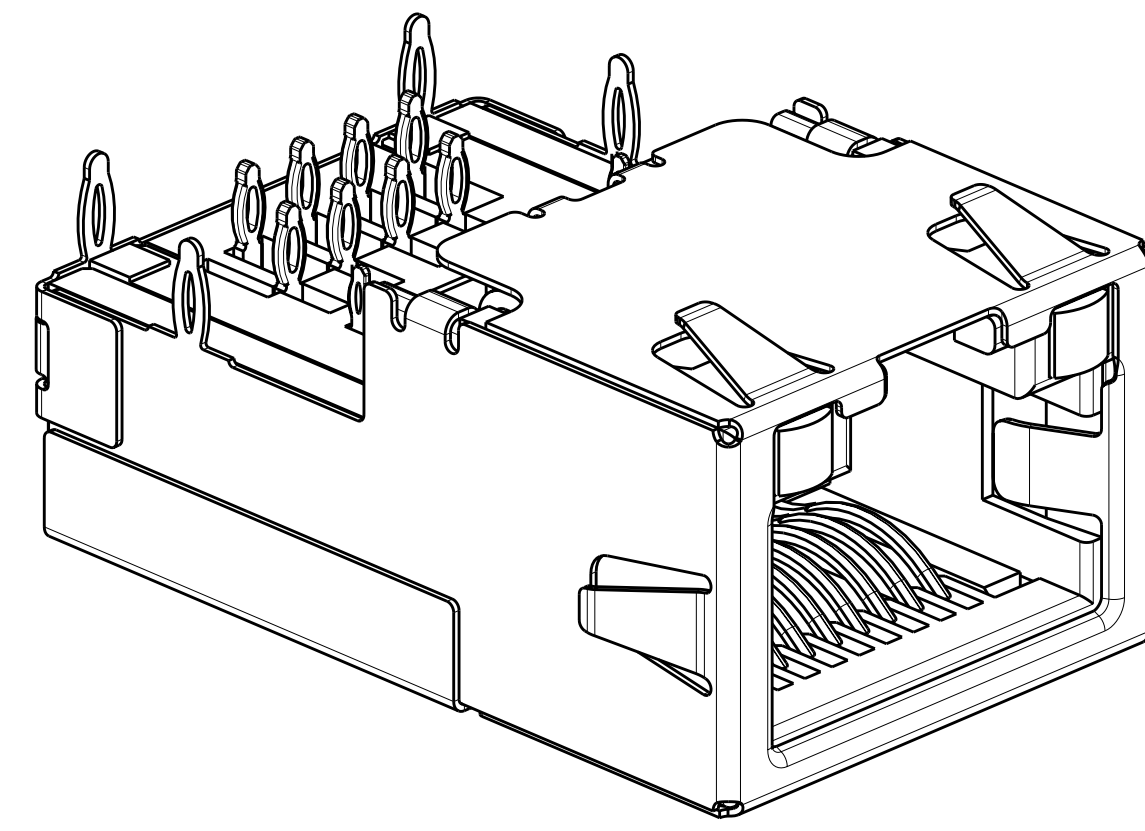
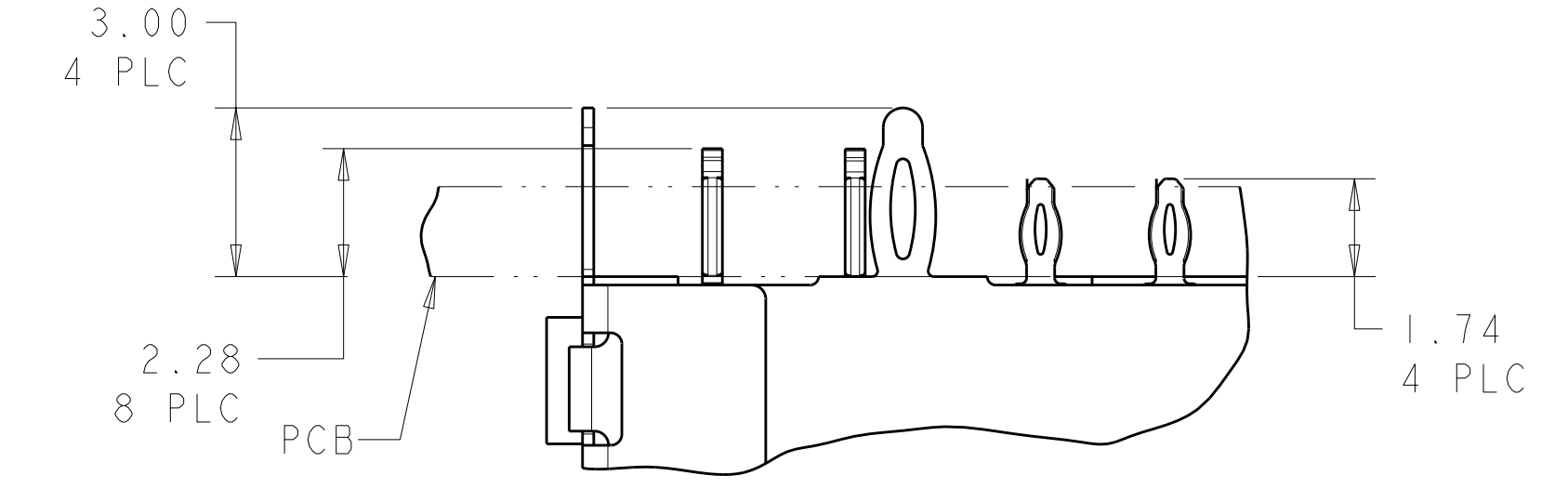
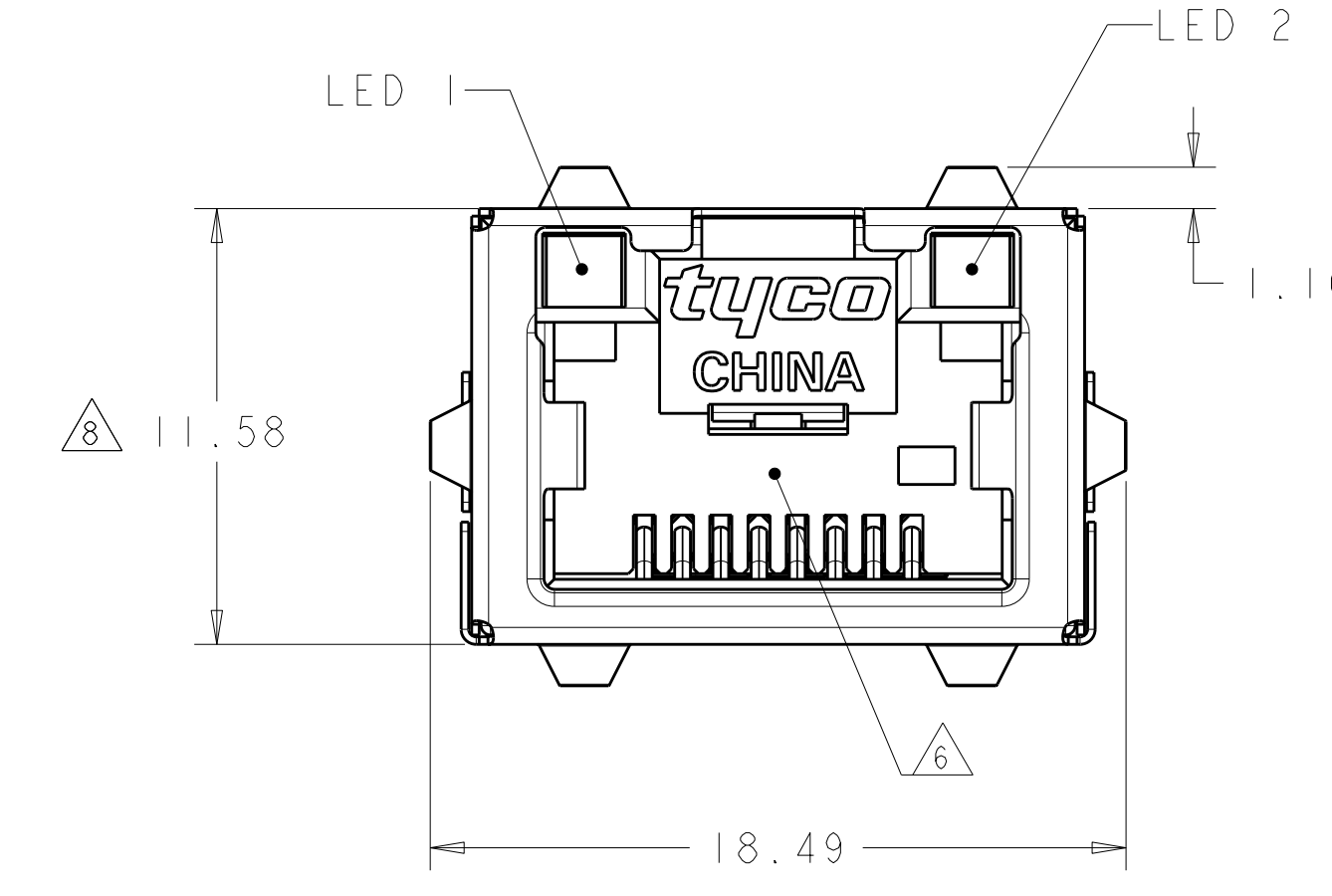


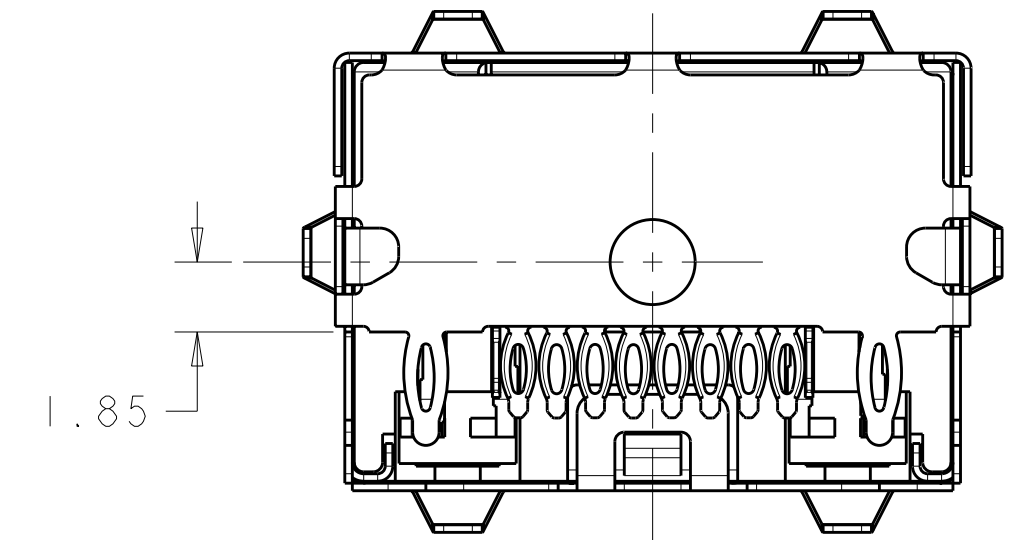
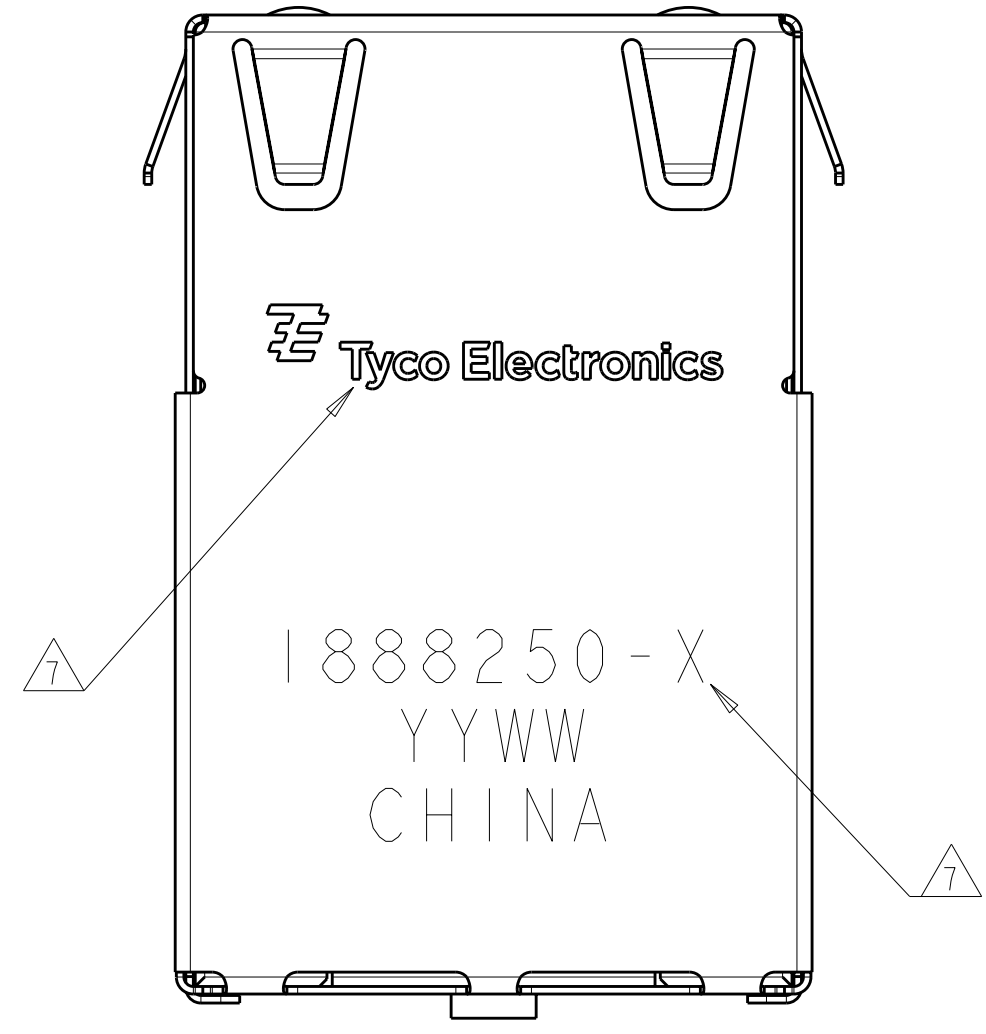
LOC	DIST	REVISIONS					
AA	00	P	LT#	DESCRIPTION	DATE	DWN	APVD
		A		ECO-08-001854	15FEB2008	LAM	JW
		A1		ECO-08-021846	10SEP2008	JY	SY



VIEW SHOWN ASSEMBLED TO PCB ONLY



DETAIL G SCALE 8:1

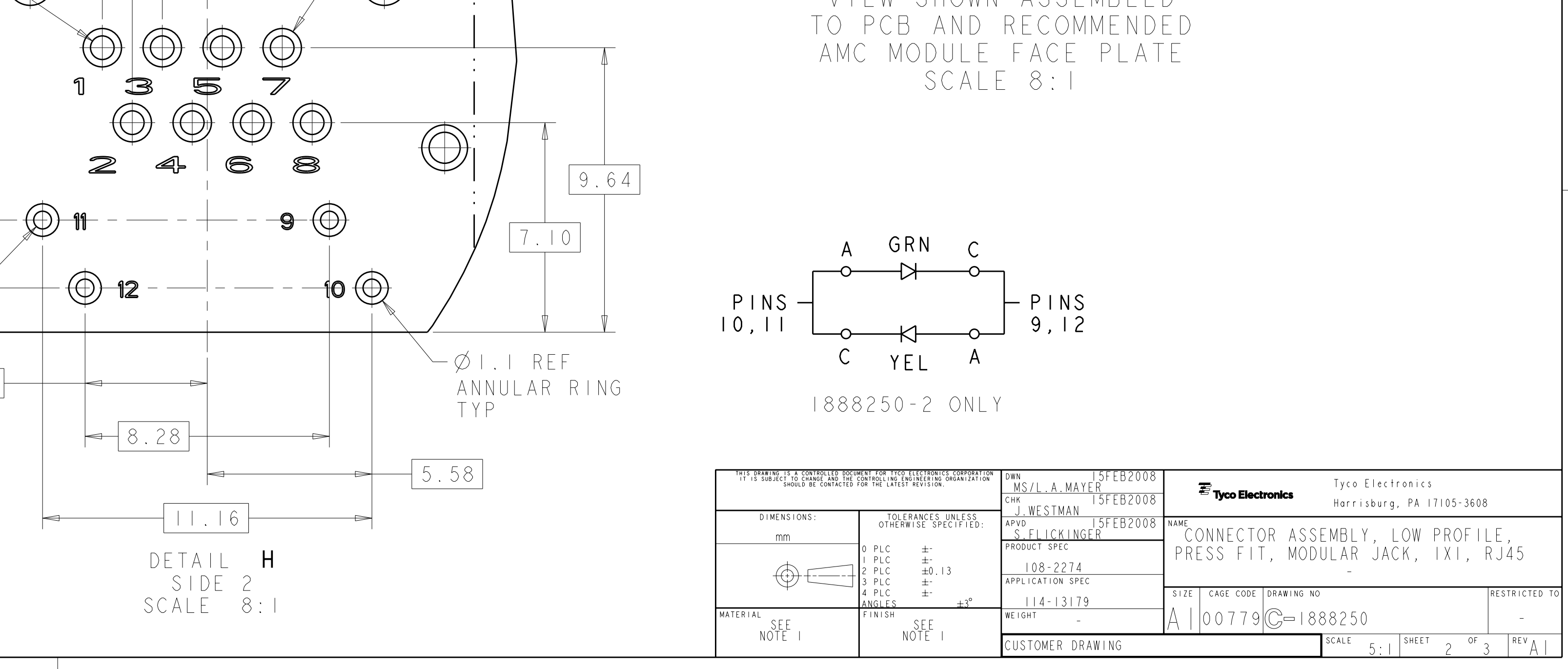
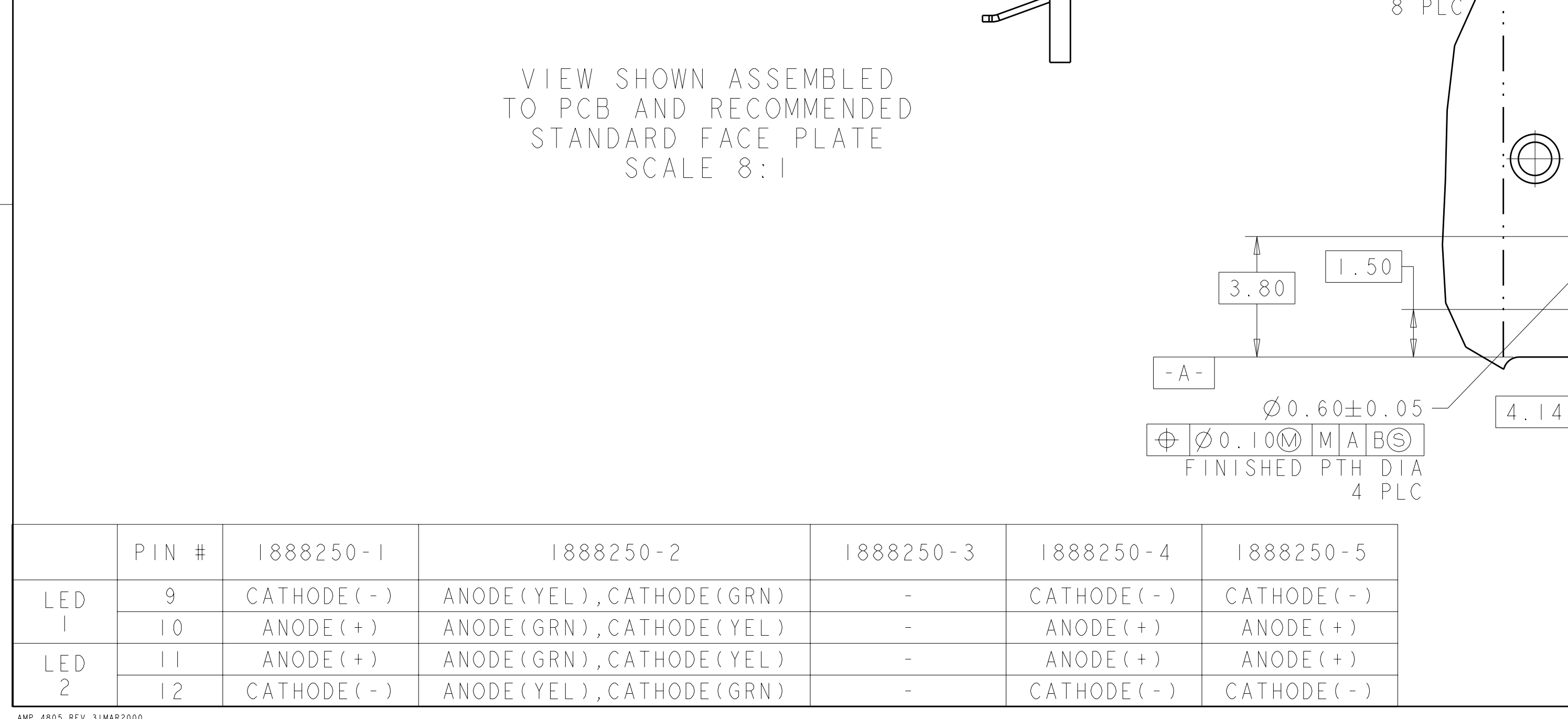
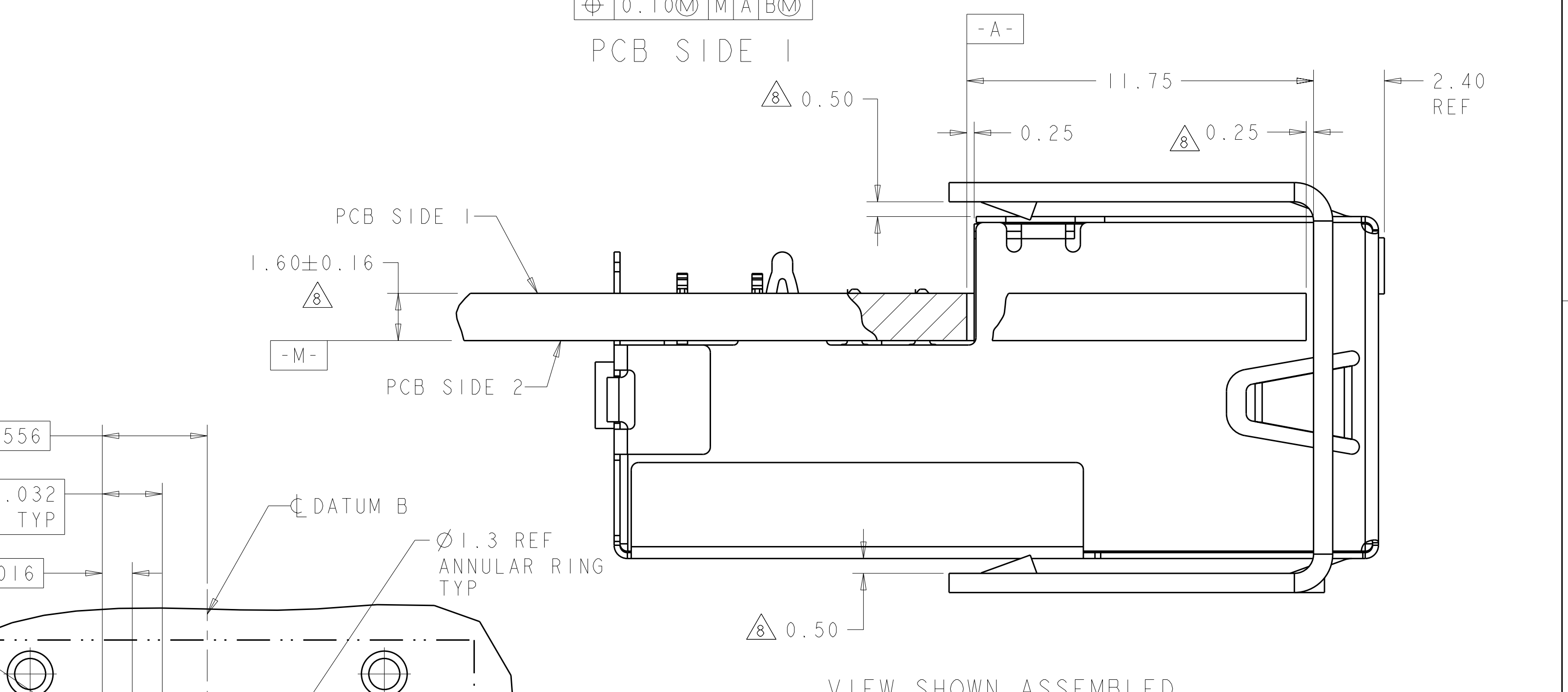
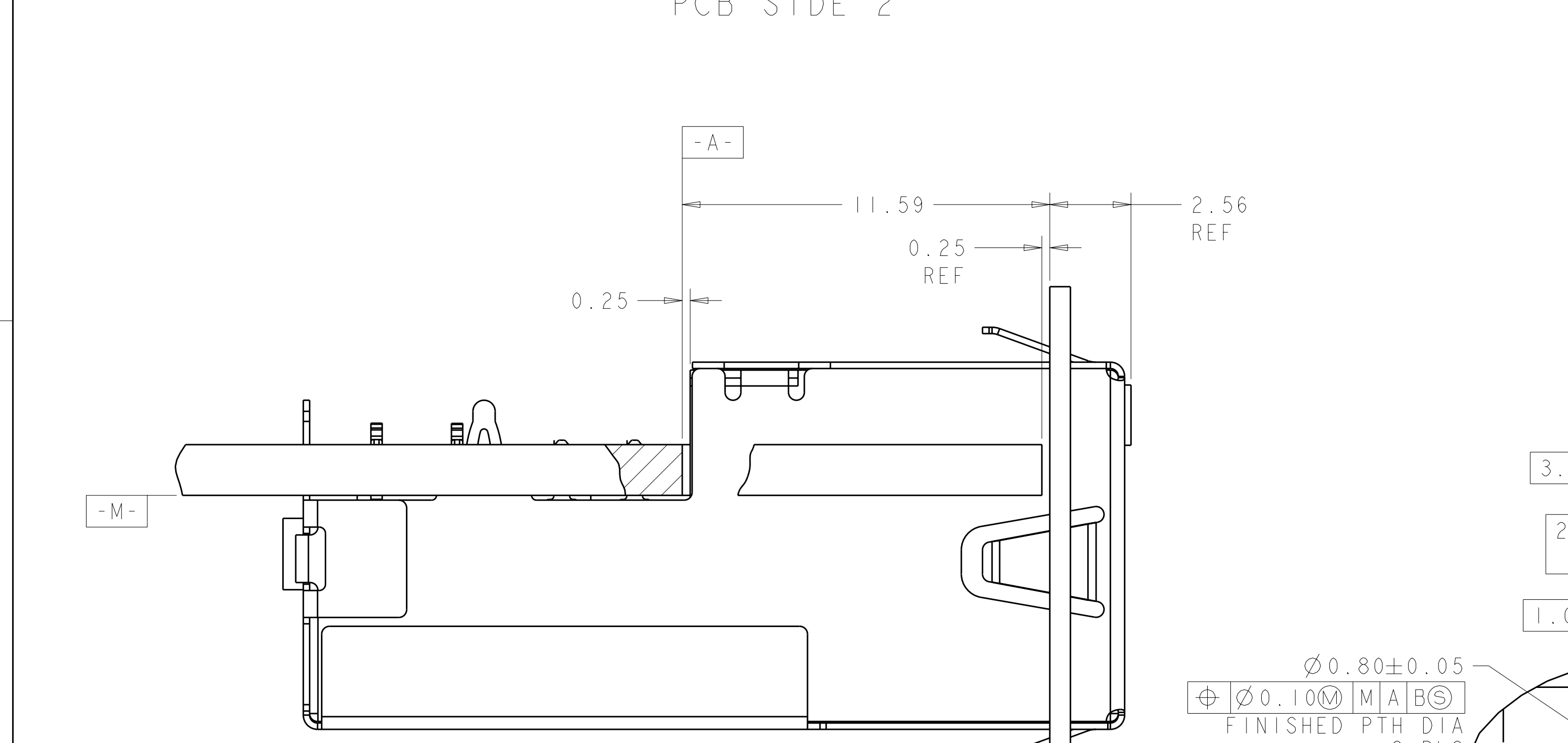
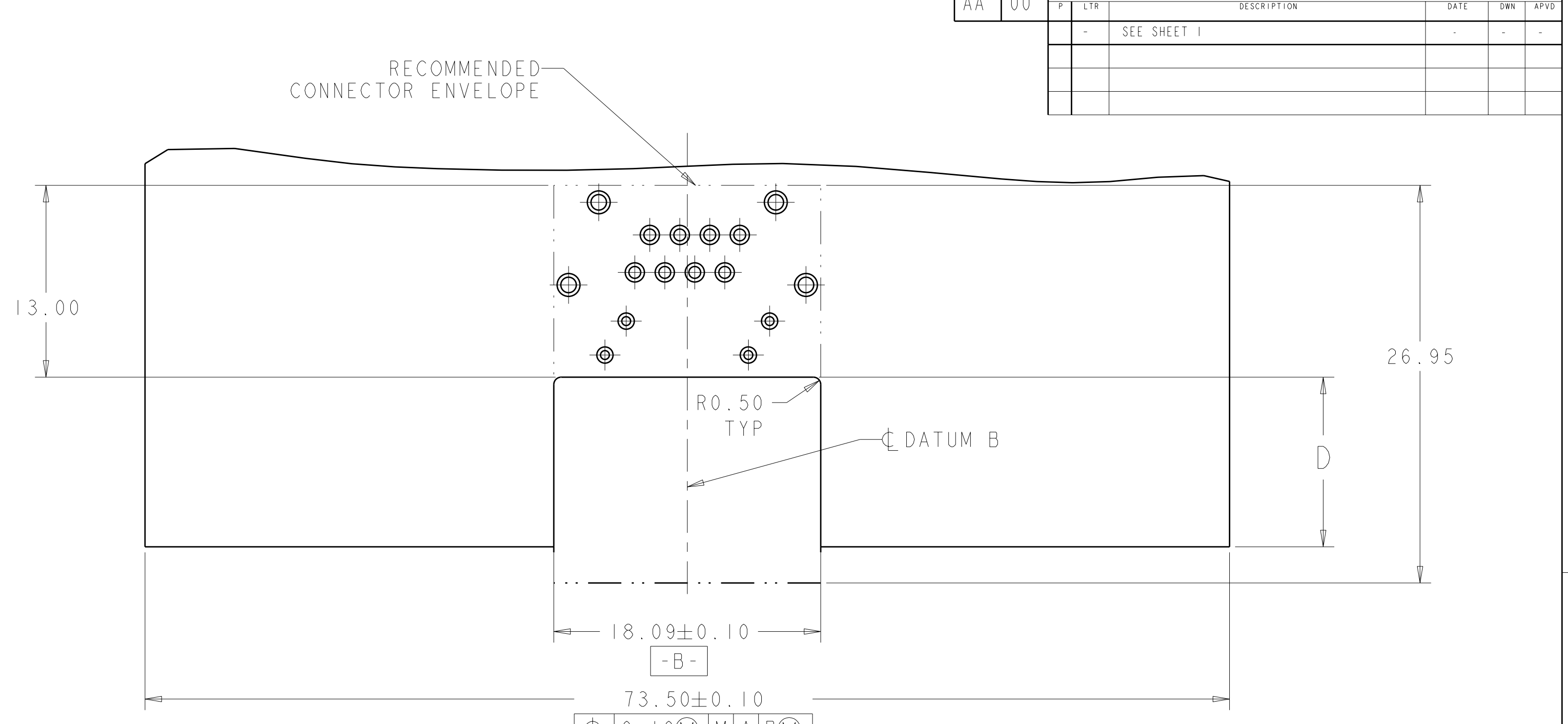
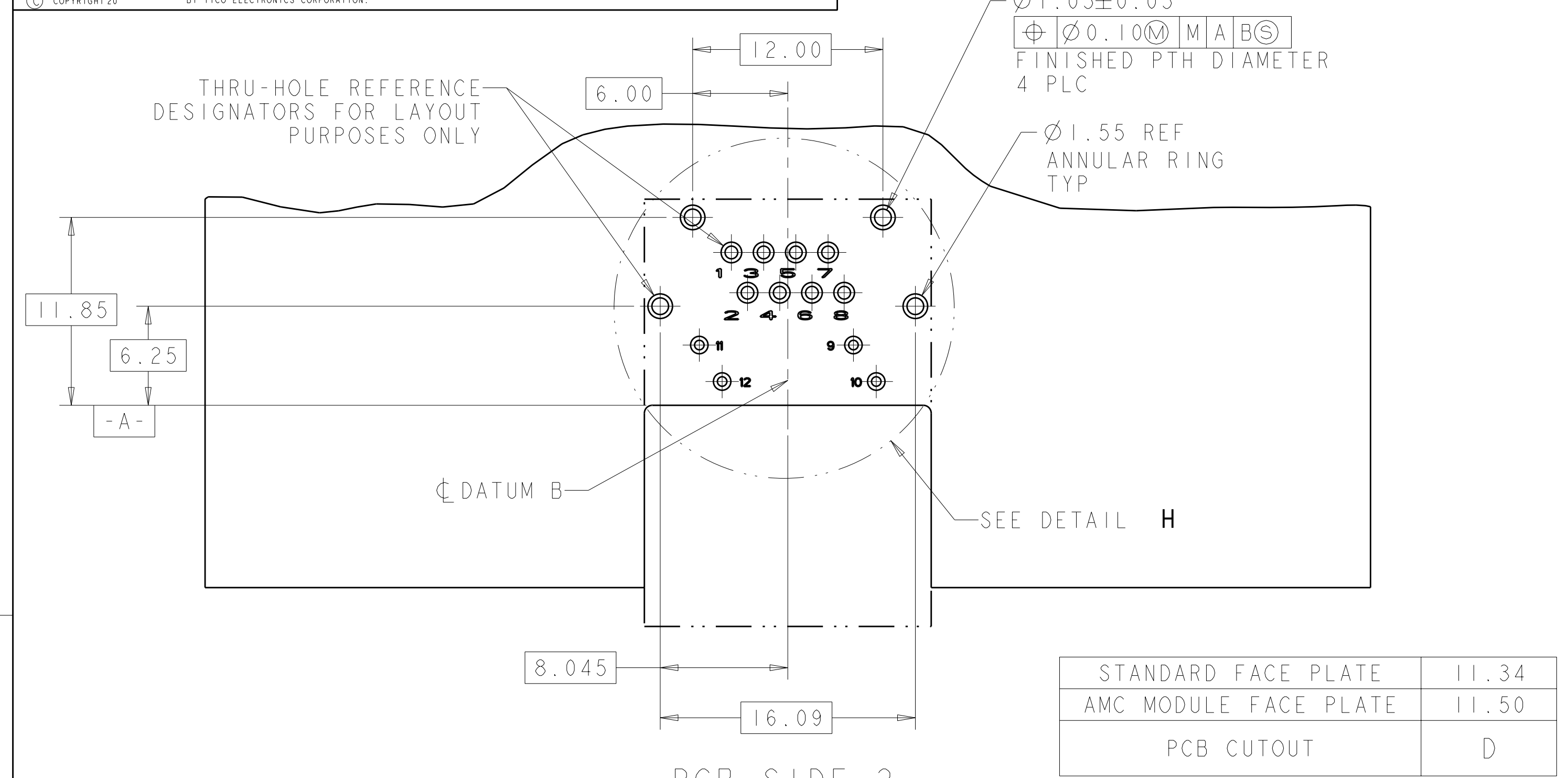


- MATERIALS:  
 HOUSING: BLACK THERMOPLASTIC, 94V-0.  
 SHIELD: COPPER ALLOY WITH 0.76µm MIN NICKEL PLATE  
 CONTACTS: PHOSPHOR BRONZE WITH 1.27µm MIN GOLD  
 AT MATING INTERFACE OVER 1.27µm MIN NICKEL UNDERPLATE.
- PERFORMANCE:  
 INSERTION LOSS: 0.4dB @ 100 MHz.  
 RETURN LOSS: 12.0dB @ 100 MHz.  
 CROSSTALK ATTENUATION: -43dB MINIMUM @ 100 MHz  
 CMRR: 40.1dB @100 MHz.
- LED'S COMPLIANT WITH IEC60825-1 SAFETY OF LASER PRODUCTS WHEN OPERATED AT CURRENT OF 20mA.
- ALL DIMENSIONS NOMINAL.
- RECOMMENDED MOTHERBOARD PCB THICKNESS: 1.60±0.16.
- RJ45 PORT CONFORMS TO FCC RULES AND REGULATIONS PART 68 SUB-PART F.
- TE LOGO, PART NUMBER, DATE CODE AND COUNTRY OF ORIGIN TO BE MARKED IN APPROXIMATE LOCATION SHOWN.
- THIS DIMENSION MEETS THE ADVANCED MEZZANINE CARD (AMC) SPECIFICATION.
- THE PART No. 1888250-5 IS PRELIMINARY.

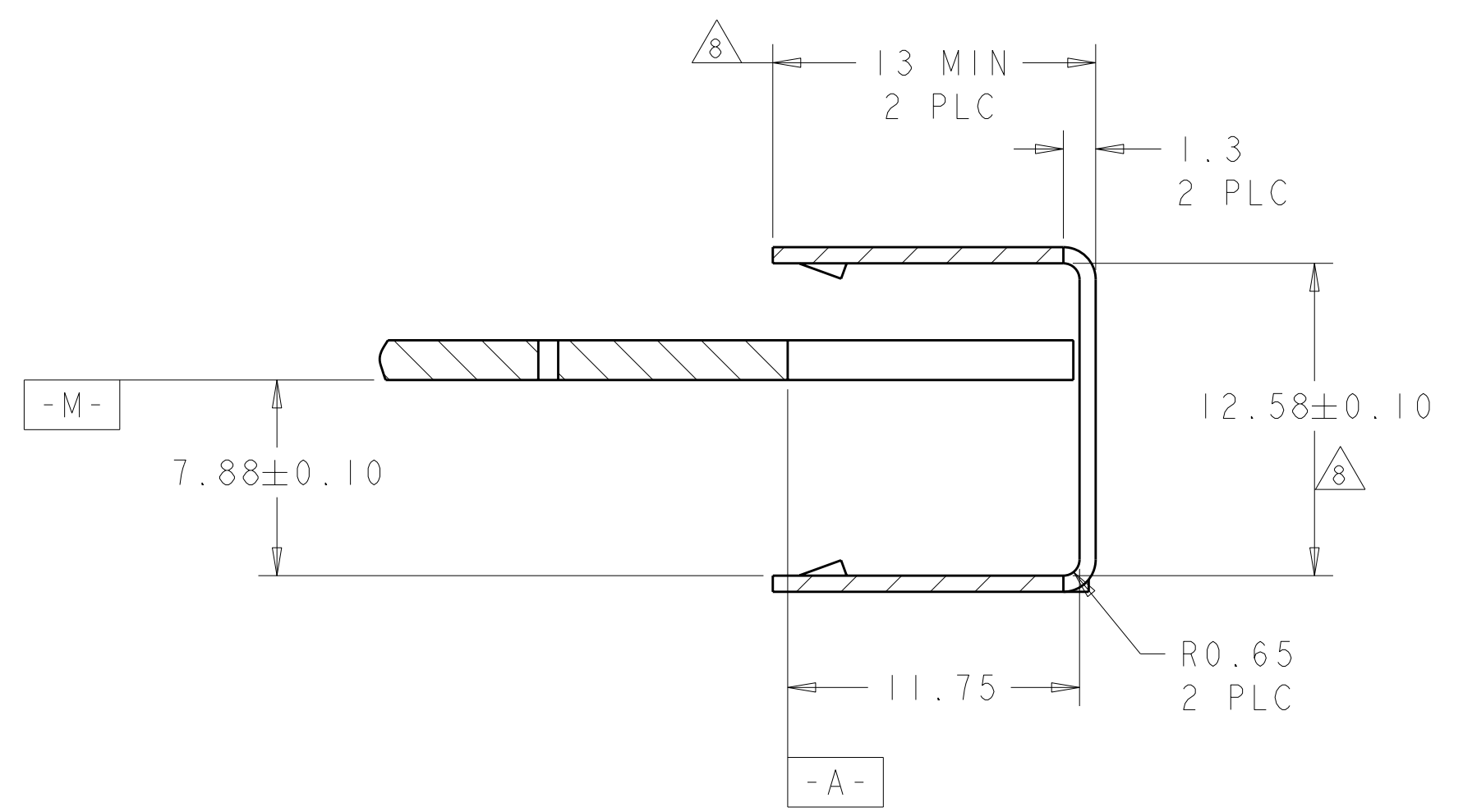
LED #1	LED #2	PART NUMBER
YELLOW	GREEN	1888250-5
GREEN	GREEN	1888250-4
-	-	1888250-3
GRN/YEL	GRN/YEL	1888250-2
GREEN	YELLOW	1888250-1

DIMENSIONS: mm 		TOLERANCES UNLESS OTHERWISE SPECIFIED: 9 PLC ± 1 PLC ±0.13 5 PLC ± 4 PLC ± ANGLES ±°		DWN: MS/L.A.MAYER 15FEB2008 CHK: J.WESTMAN 15FEB2008 APVD: S.FLICKINGER 15FEB2008		Tyco Electronics Harrisburg, PA 17105-3608	
MATERIAL: SEE NOTE 1 FINISH: SEE NOTE 1		PRODUCT SPEC: 108-2274 APPLICATION SPEC: 114-13179 WEIGHT: -		NAME: CONNECTOR ASSEMBLY, LOW PROFILE, PRESS FIT, MODULAR JACK, 1X1, RJ45 SIZE: CAGE CODE DRAWING NO: A100779C-1888250 RESTRICTED TO: -		CUSTOMER DRAWING SCALE: 1:1 SHEET 1 OF 3 REV: A1	

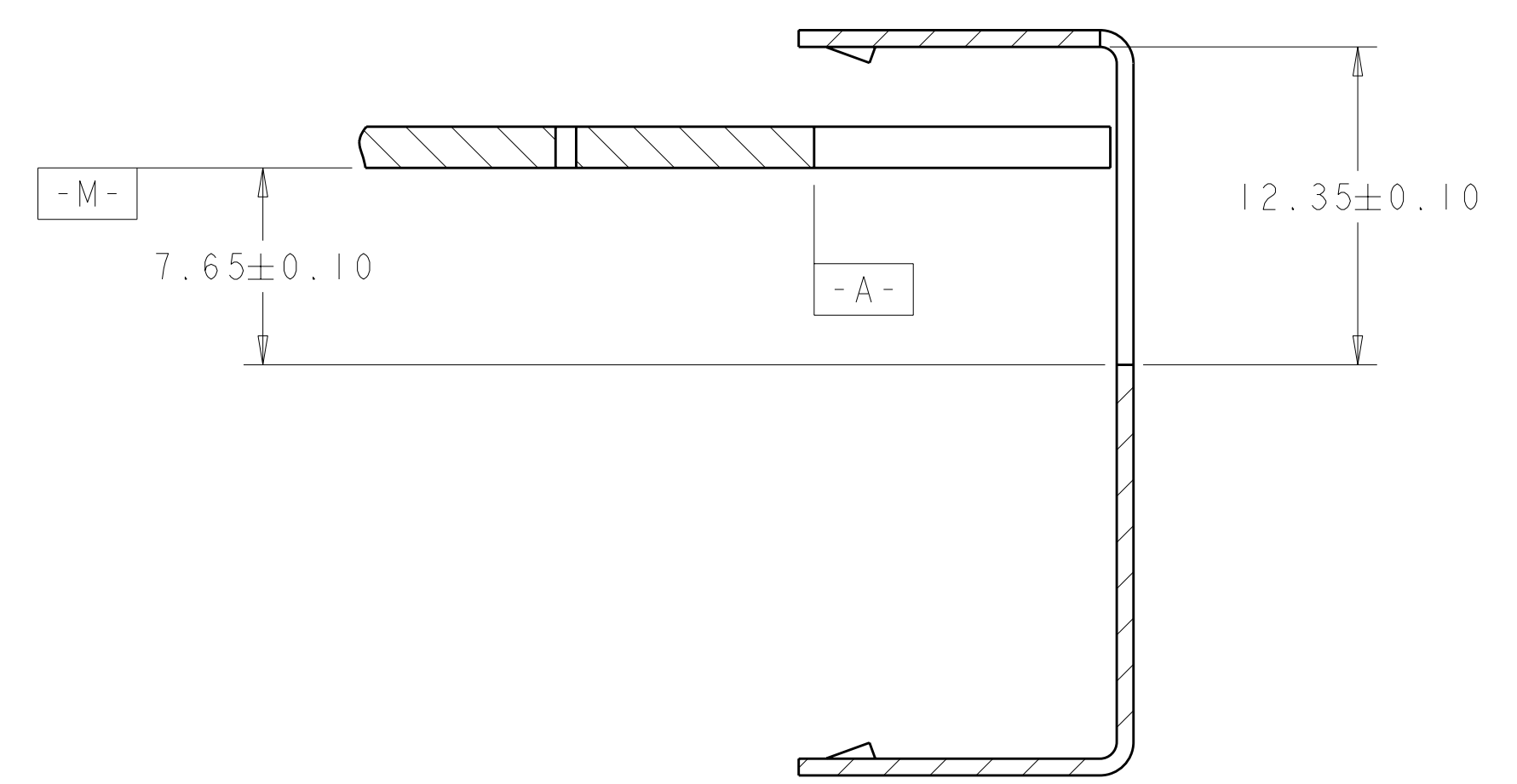
LOC	DIST	REV	DATE	BY	APPD
AA	00				



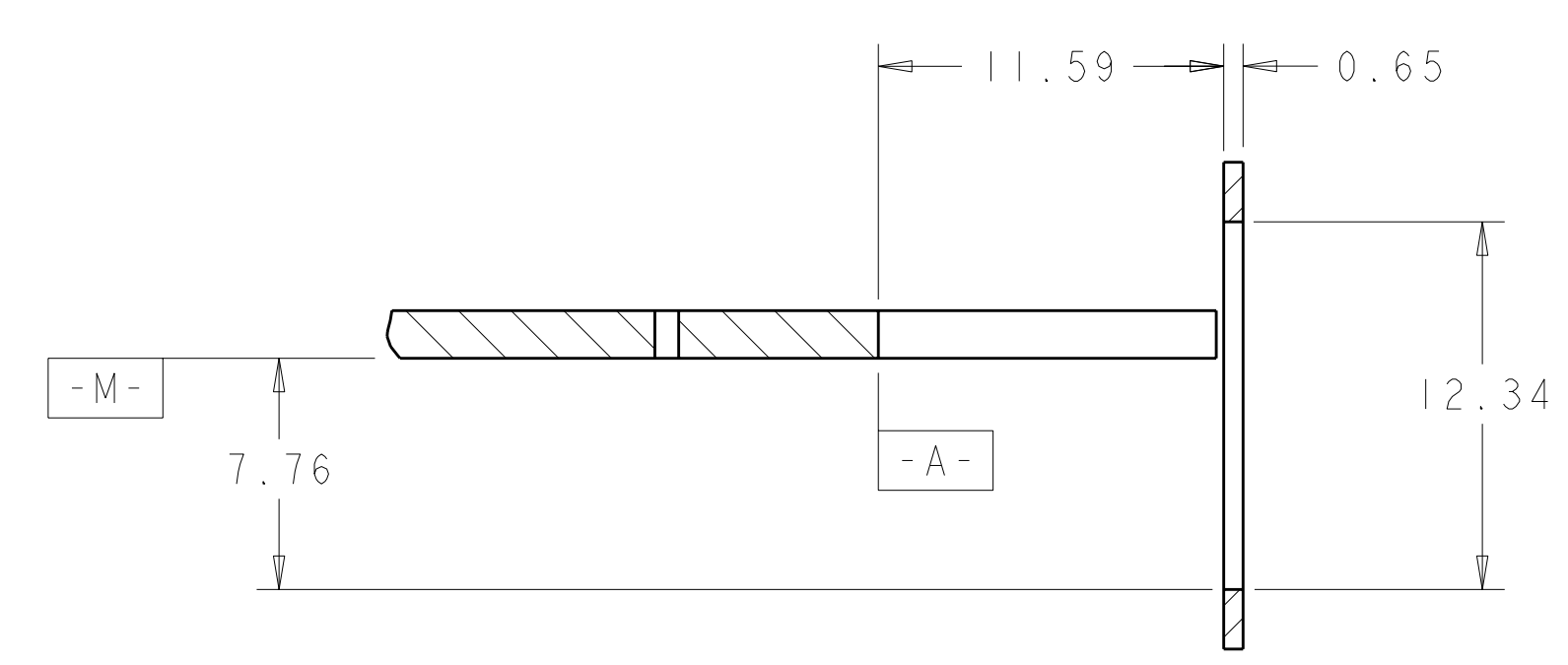
LOC	DIST	REV	DATE	BY	APPD
AA	00	1			
DESCRIPTION			DATE	DWN	APPD
SEE SHEET 1			-	-	-



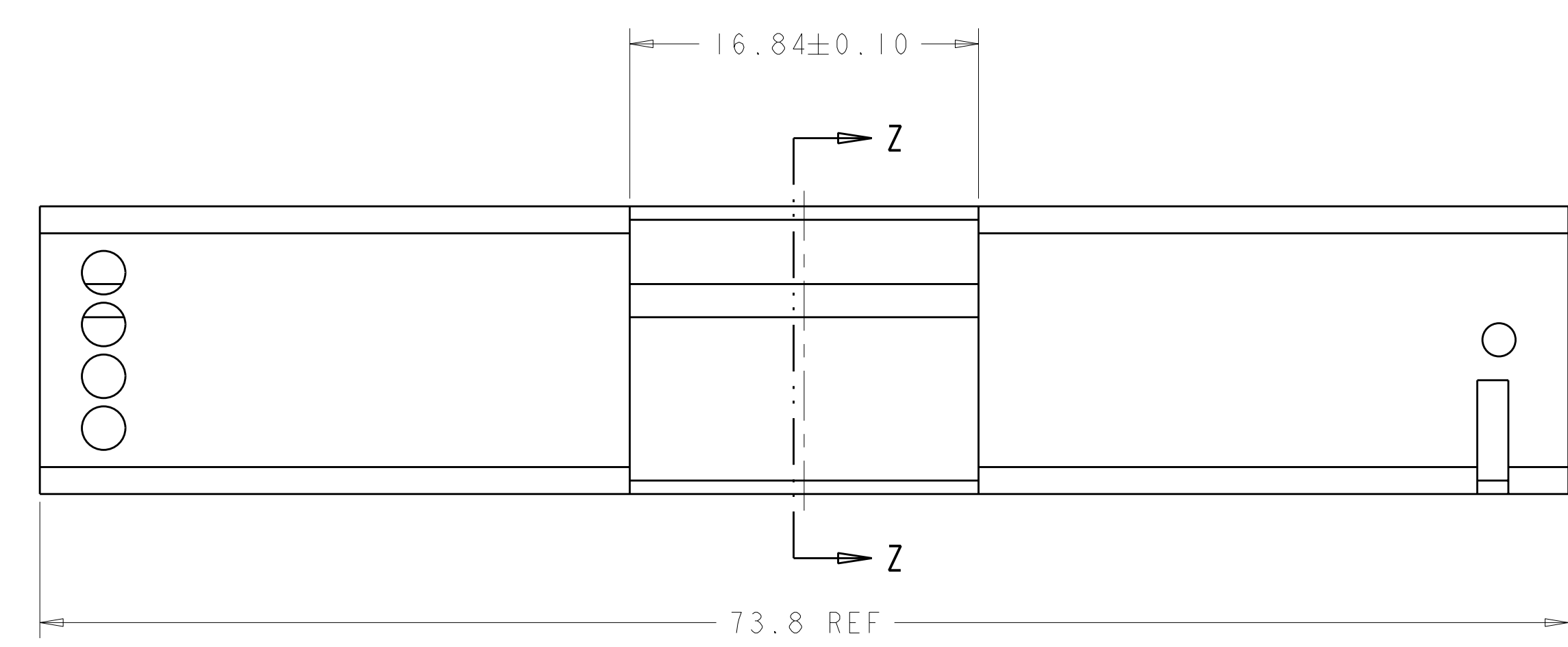
SECTION Z-Z



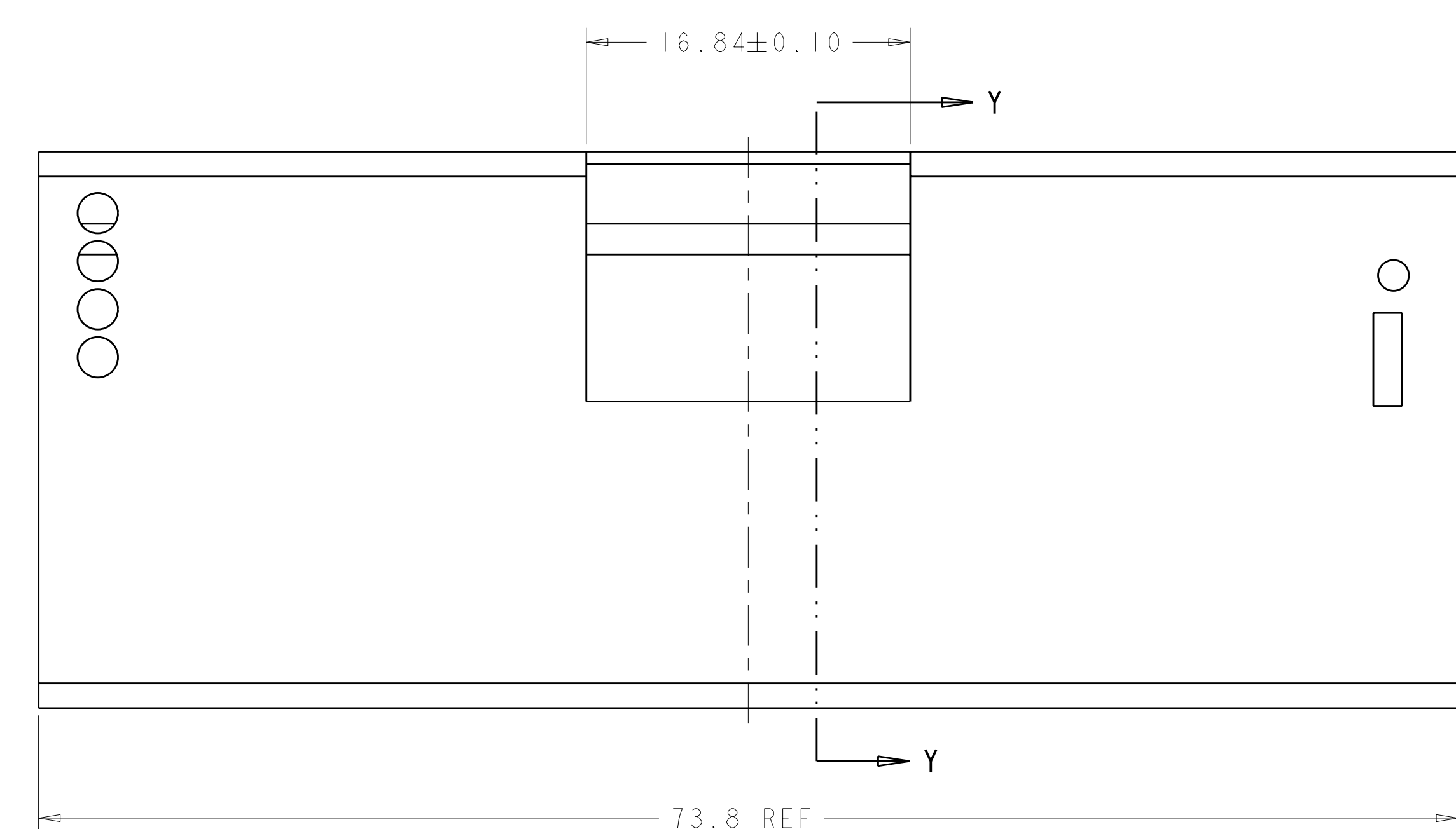
SECTION Y-Y



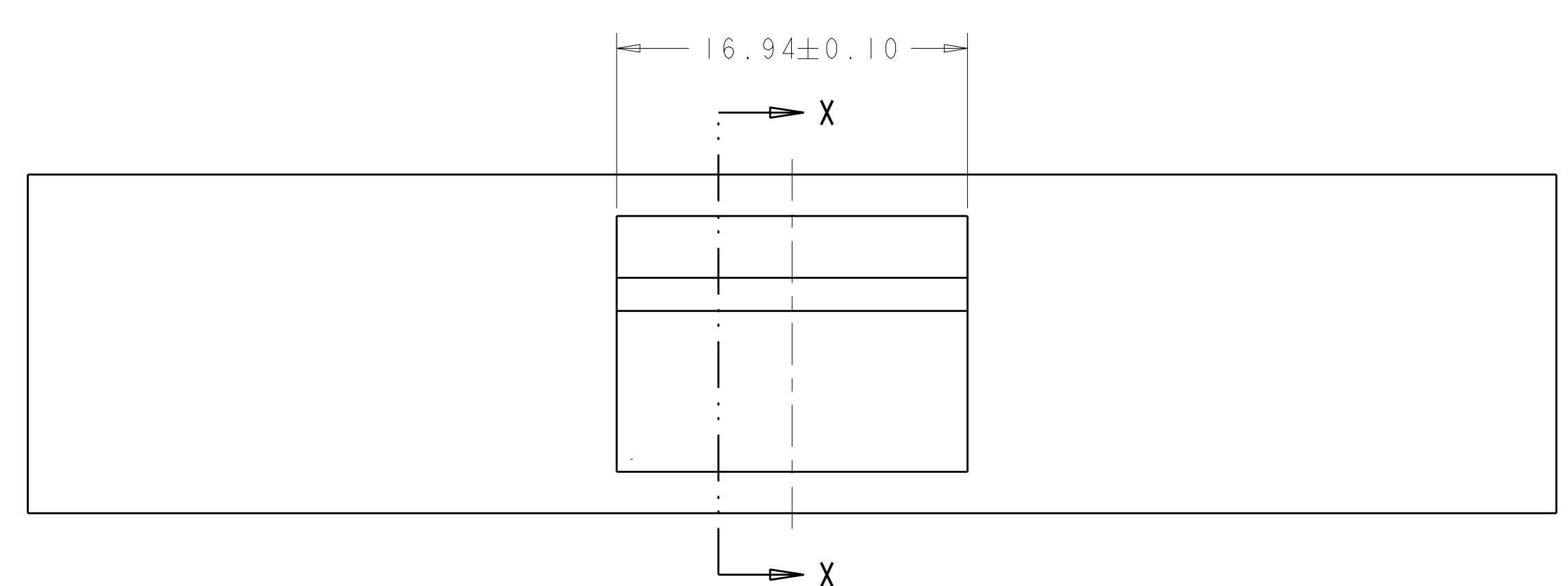
SECTION X-X



AMC SINGLE WIDTH, HALF HEIGHT MODULE FACE PLATE  
SCALE 4:1



AMC SINGLE WIDTH, FULL HEIGHT MODULE FACE PLATE  
SCALE 4:1



STANDARD FACE PLATE  
SCALE 4:1

DIMENSIONS: mm 		TOLERANCES UNLESS OTHERWISE SPECIFIED: 0 PLC ± 1 PLC ±0.13 2 PLC ± 3 PLC ± 4 PLC ± ANGLES ±°		DWN: MS/L.A.MAYER 15FEB2008 CHK: J.WESTMAN 15FEB2008 APVD: S.FLICKINGER 15FEB2008		Tyco Electronics Harrisburg, PA 17105-3608	
MATERIAL: SEE NOTE 1		FINISH: SEE NOTE 1		NAME: CONNECTOR ASSEMBLY, LOW PROFILE, PRESS FIT, MODULAR JACK, 1X1, RJ45		SIZE: CAGE CODE: DRAWING NO: RESTRICTED TO:	
CUSTOMER DRAWING		WEIGHT: -		A100779C-1888250		SCALE: 5:1 SHEET 3 OF 3 REV A1	